

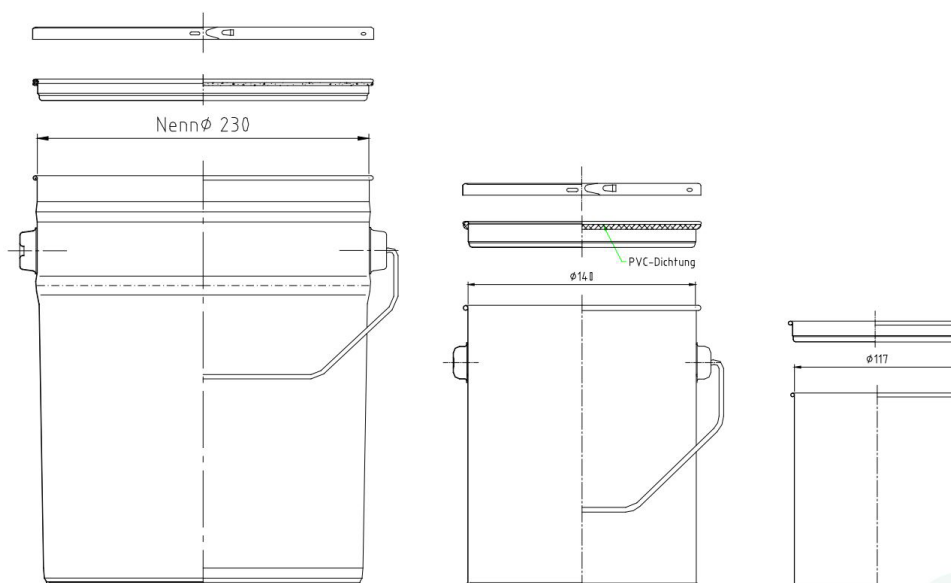
Data sheet: Plug-lid-cans and Plug-lid-pails for food



General information:

- Special sizes on request.
- Welding strip WIMA welded, inside
- Inside varnishing according to filling goods.
- Inside and outside varnishing Bisphenol A (BPA) non intend-system (Nehring certificated) on request.
- Lid fixation optional by overlap-ears, safety-ring (-strip) or clamping ring.
- Lids on request prepared with food-licensed PVC-compound for open-end-sealing.
- All available inside varnishing acc. to the food-regulations of the federal republic of Germany, especially to the food consumer and article law (LFBG).
- All sizes are passing a leaking control system, piece by piece, 100 % control after production. Conical types stackable to prevent freight- and storing costs.

Special sizes and versions on request.



Diameter	Height	Remarks
99 mm	65 – 250 mm	Cylindrical, ears and handle wire on request
117 mm	75 – 250 mm	Cylindrical
130/125 mm	85 – 300 mm	Cylindrical, stackable / bottom necking ears and handle wire on request
140 mm	90 – 300 mm	Cylindrical, ears and handle wire on request
160 mm	104 – 300 mm	Cylindrical, ears and handle wire on request
163 mm	100 – 300 mm	Cylindrical
190 mm	150 – 300 mm	Cylindrical, ears and handle wire on request
190/180 mm	150 – 300 mm	Conical shaping, stackable, ears and handle wire on request
230/217 mm	165 – 348 mm	Conical shaping, stackable; special beading for hot-filling on request – vacuum- pails and vacuum ends
230/217 mm	165 – 348 mm	Conical shaping open-end-flanged can, stackable (vegetable oil)
235/224 mm	165 – 348 mm	Conical shaping, stackable

Plug-lid-cans and plug-lid-pails for chemical industry

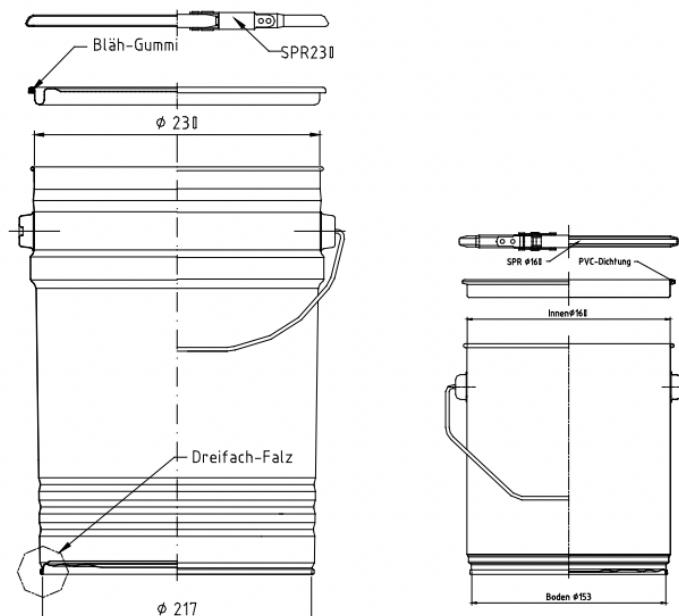


General information:

- Special sizes on request.
- Welding strip WIMA welded, inside powder covered, outside varnish covered.
- Solvent proof lining compound in the bottom ends – bottoms 217 with triple seam!
- Inside varnishing according to filling goods.
- Lid fixation optional by overlap-ears, safety-ring (-strip) or clamping ring.
- Lids on request prepared with food-licensed PVC-compound for open-end-sealing.
- Ears welded and inside welding points covered by 2-components-varnish.
- Conical types stackable to prevent freight- and storing costs.
- All sizes are passing a leaking control system, piece by piece, 100 % control after production

3

Special sizes and versions on request..



Diameter	Height	Remarks
99 mm	65 – 250 mm	Cylindrical, ears and handle wire on request
117 mm	75 – 250 mm	Cylindrical
130/125 mm	85 – 300 mm	Cylindrical, stackable / bottom necking ears and handle wire on request
140 mm	90 – 300 mm	Cylindrical, ears and handle wire on request
160 mm	104 – 300 mm	Cylindrical, ears and handle wire on request
160/153 mm	104 – 300 mm	Cylindrical, stackable / bottom necking ears and handle wire on request available for pails with BAM-certificate for dangerous goods: UN -1A2/Y/ 100.../D/BAM, JKD
163 mm	100 – 300 mm	Cylindrical
190 mm	150 – 300 mm	Cylindrical, ears and handle wire on request
190/180 mm	150 – 300 mm	Cylindrical, stackable / bottom necking, ears and handle wire on request
230/217 mm	165 – 348 mm	Conical shaping, stackable; special beading for hot-filling on request – vacuum- pails and vacuum ends available for pails with BAM-certificate for dangerous goods: UN -1A2/Y/ 100.../D/BAM, JKD
235/224 mm	165 – 348 mm	Cylindrical, stackable / bottom necking